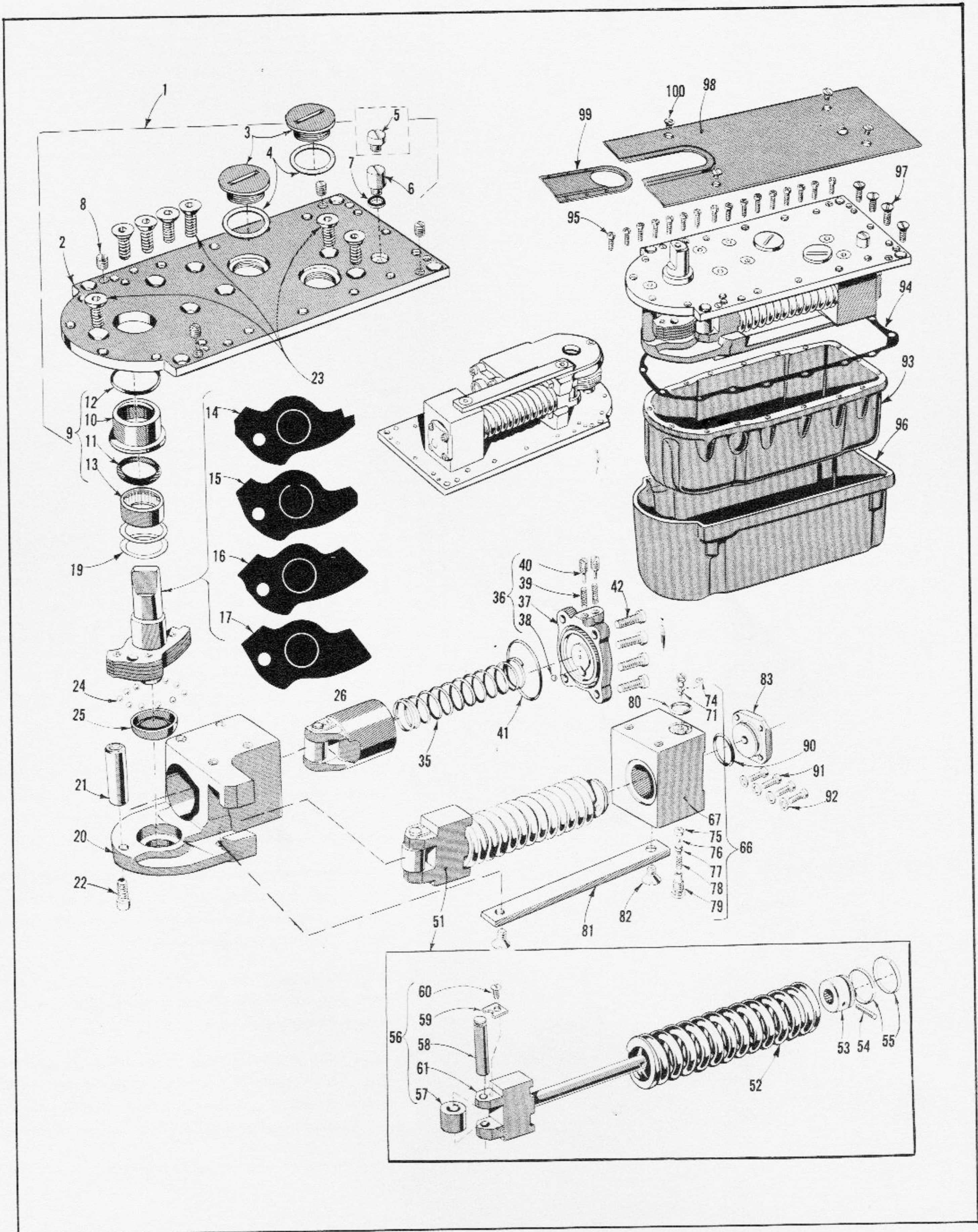




2500-2600 SERIES MANUAL DOOR CONTROLS



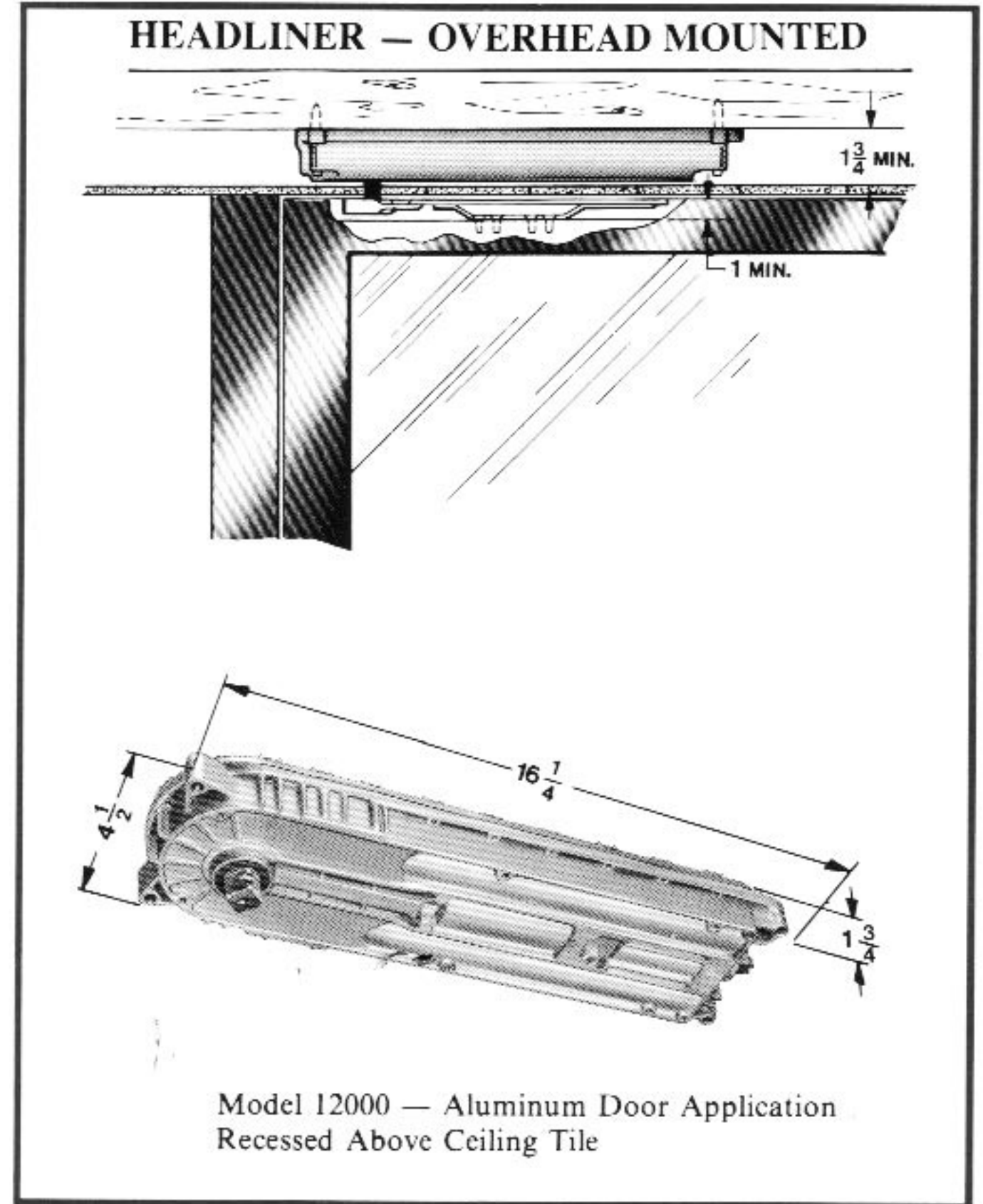
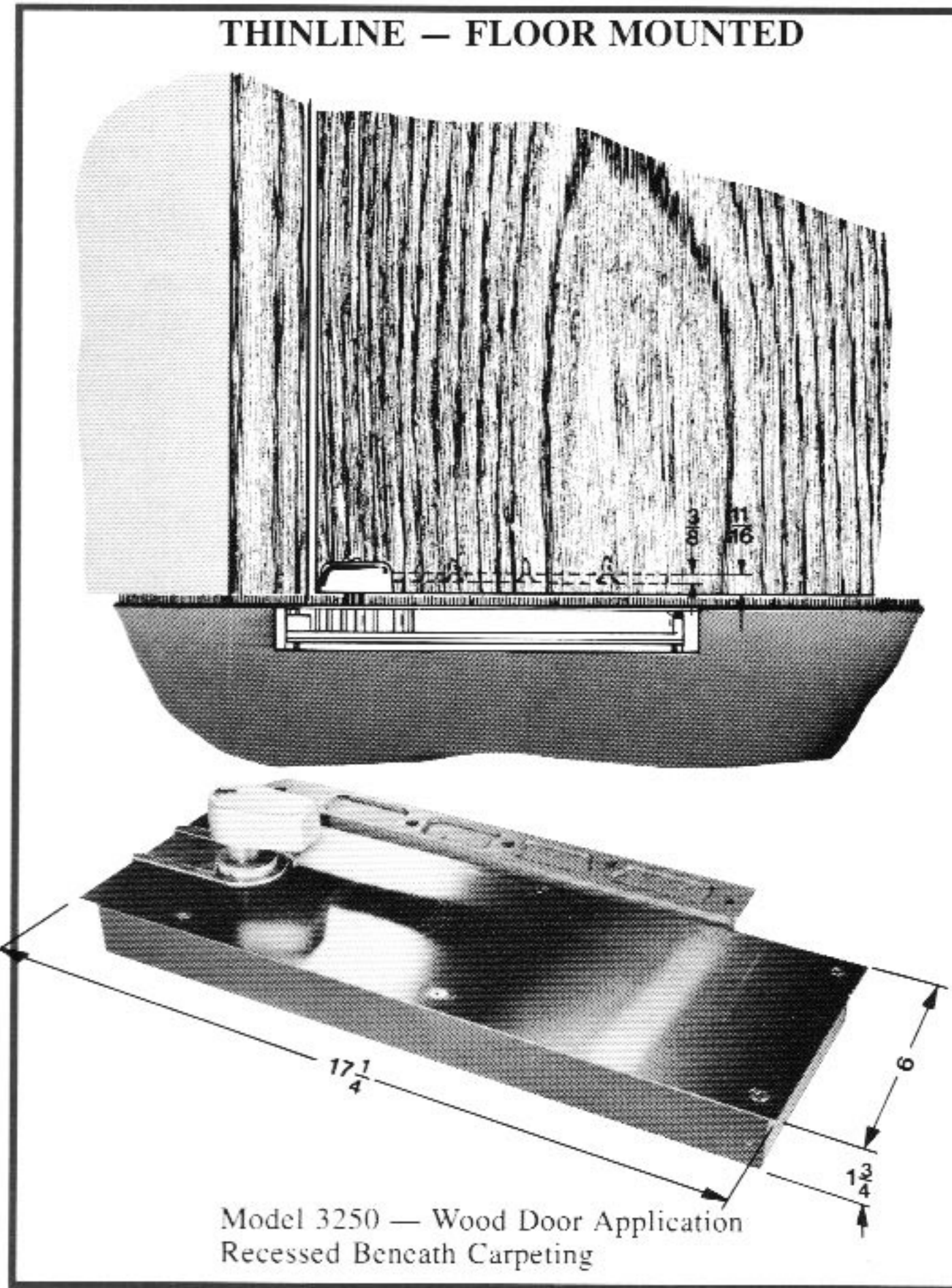
CONCEALED FLOOR AND OVERHEAD DOOR CONTROLS

For Interior Doors

*ANSI GRADE 1

08710/DOR

BuyLine 3059



THINLINER SELECTOR CHART			
CENTER HUNG	OFFSET HUNG	MAX DOOR WIDTH	DOOR LOCATION
#3200	#3250	2'8" 3'0"	Exterior Interior
#3300	#3350	3'0" 3'4"	Exterior Interior
#3400	#3450	3'4" 3'6"	Exterior Interior
INDEPENDENTLY HUNG			
#3470 & #3640		Up To 4'	Exterior Interior

HEADLINER SELECTOR CHART				
CENTER HUNG		OFFSET HUNG	MAX. DOOR WIDTH	DOOR LOCATION
DEEP TOP DOOR RAIL	SHALLOW TOP DOOR RAIL			
#12000	#22000	#22500	2'8" 3'0"	Exterior Interior
#13000	#23000	#23500	3'0" 3'10"	Exterior Interior
#14000	#24000	#24500	3'6" 4'0"	Exterior Interior

OPERATIONAL FEATURES

Dor-O-Matic Thinline and Headliner Series door controls are available with:

- Opening swing of either 90° or 105°, hold open or non hold open.
- Mounting hardware for offset hung (3/4" or 1 1/2") or center hung doors.
- One way traffic (single acting) or two way traffic (double acting) capability.
- Mounting hardware and fasteners for aluminum, hollow metal, wood and glass doors.
- Dress plates and other finished hardware in bronze or aluminum material and in a wide range of finishes (Including US3, 10, 10B, 26D & 32D).
- Two closing speed adjustments and adjustable spring tensions.
- Custom length closer spindles for special recessed applications under carpeting and terrazzo or above ceiling tile.

3. **ONE PIECE CLOSER SPINDLE** — providing a solid connection between closer and door to prevent the loosening common to a two piece spindle.
4. **PRESSURE-FREE FLUID SEAL** — substantially reduces the risk of leaking that occurs in other makes of closers.
5. **TENSION-FREE SPRING ADJUSTMENT** (on units with adjustable springs) — taking the danger out of making changes in the closing action.