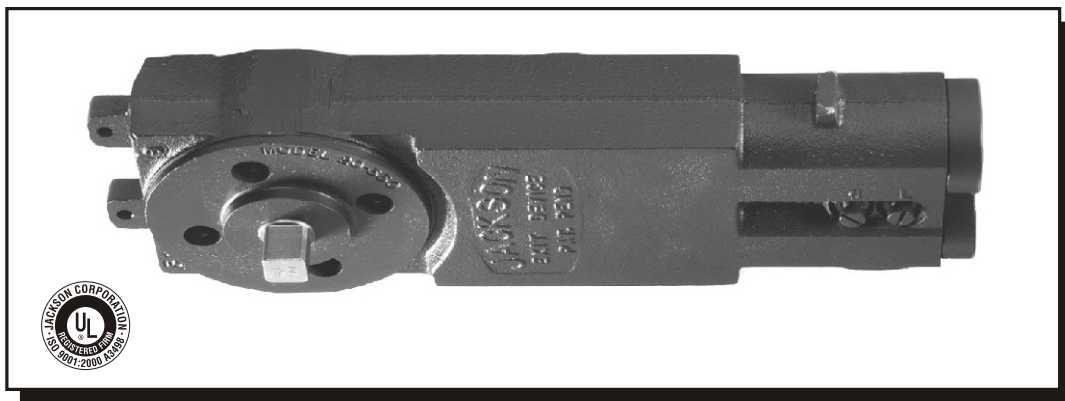




STANDARD OVERHEAD CONCEALED CLOSERS



The Jackson 20-330 Series Overhead Concealed Closer has been the leader in the industry for more than 35 years. The closer is manufactured in the U.S.A. under strict ISO 9001 guidelines and is designed to give long lasting, maintenance-free performance. This closer is truly universal. One basic closer mechanism allows for single or double acting, center-hung or offset applications and is non-handed. Suitable for both interior and exterior installations, it provides complete door control in a compact and concealed design. Available in 4 fixed spring sizes or adjustable spring power, making this the ideal closer for aluminum, wood or hollow metal doors and frames.

TECHNICAL INFORMATION

DIMENSIONS: All Jackson 20-330 Series Overhead Closers are the same size and fit into a 1-3/4" x 4" (44.5 x 101.5mm) header.

LENGTH: 11-5/8" (295 mm)

HEIGHT: 1-1/2" (38mm)

WIDTH: 3-11/16" (94mm)

WEIGHT: Mechanism Only 8 lbs. (3.6 kg)

Center-Hung Package. 10 lbs. (4.5 kg)

Offset Package. 11lbs. (5.0 kg)

NOTE: Weights will vary depending on Package type

ACTION: Non-Handed Design
Single or Double Acting
Center-Hung or Offset Applications

WARRANTY: Guaranteed to be free from defects in materials and workmanship for 5 years from date of shipment.

ACCESSORIES: Complete selection of Arms, Pivots, Mounting Brackets and optional accessories.

OPTIONS:

• **EXTENDED LENGTH SPINDLE:**

Standard Spindle. . . . 1/2" (13 mm)

Medium Spindle 7/8" (22 mm)

Long Spindle . . . 1-13/64" (31 mm)

FEATURES:

• **DUAL VALVE CLOSING CONTROL** - Both sweep and latch speeds are adjustable.

• **FOUR FIXED SPRING SIZES:**

XLD = Extra Light Duty

LD = Light Duty

RD = Regular Duty

HD = Heavy Duty

NOTE: See the Closer Operational and Size Selector Charts on page C2 to determine proper closer size for the application.

• **90° or 105° Swing**

• **HOLD or NON-HOLD OPEN**

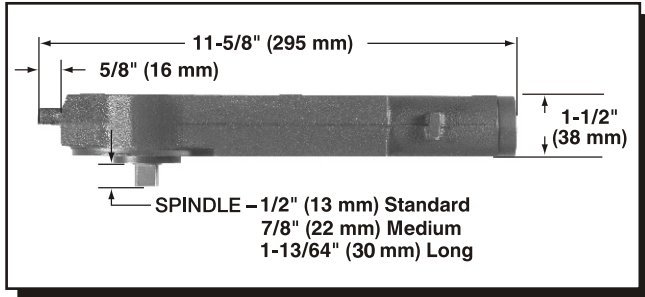
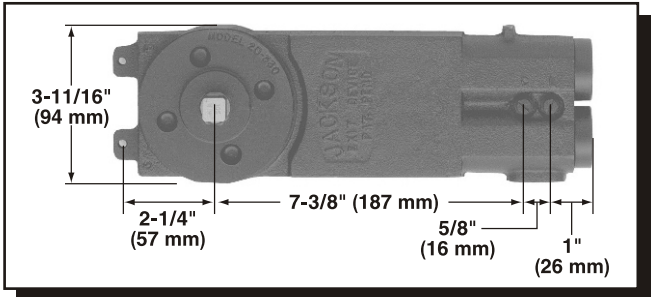
• **UL LISTED, MEETS UL228 (NON-HOLD ONLY)**

• **CUSHION BACKSTOP:** Provides cushion stop to protect both the closer and opening from damage.



STANDARD OVERHEAD CONCEALED CLOSERS

DIMENSIONS - Inch (Metric)



CLOSER OPERATIONAL DATA

APPROXIMATE OPENING FORCE IN POUNDS								
	CENTER HUNG				OFFSET SLIDE-ARM			
	2/6 x 7/0	3/0 x 7/0	3/6 x 7/0	4/0 x 7/0	2/6 x 7/0	3/0 x 7/0	3/6 x 7/0	4/0 x 7/0
Adjustable				N/A				
Extra Light Duty	6	4.5	4	N/A	8	6	5.5	5
Light Duty	10	8	6	5	14	12	10	8
Regular Duty	12	10	8	6	17	14.5	13	11
Heavy Duty	17	15	13	11	N/A	19	17	15

= Adjustable opening force 5 lbs to 8.5 lbs for barrier-free applications for door width noted.
 N/A = Application not recommended.

NOTE: Readings are in *pound force* required to open door and are taken at the lock stile to full degree of opening.

CLOSER SELECTION CHART		
CLOSER	Maximum Interior Door	Maximum Exterior Door
Adjustable	3'-6" (1067 mm)	3'-0" (914 mm)
Extra Light Duty	3'-0" (914 mm)	2'-6" (762 mm)
Light Duty	3'-6" (1067 mm)	3'-0" (914 mm)
Regular Duty	3'-6" (1067 mm)	3'-0" (914 mm)
Heavy Duty	4'-0" (1219 mm)	3'-6" (1067 mm)

SPRING POWER ADJUSTMENT DATA

Closer leaves factory set at size *LD* for a 3'-0" (914 mm) door.

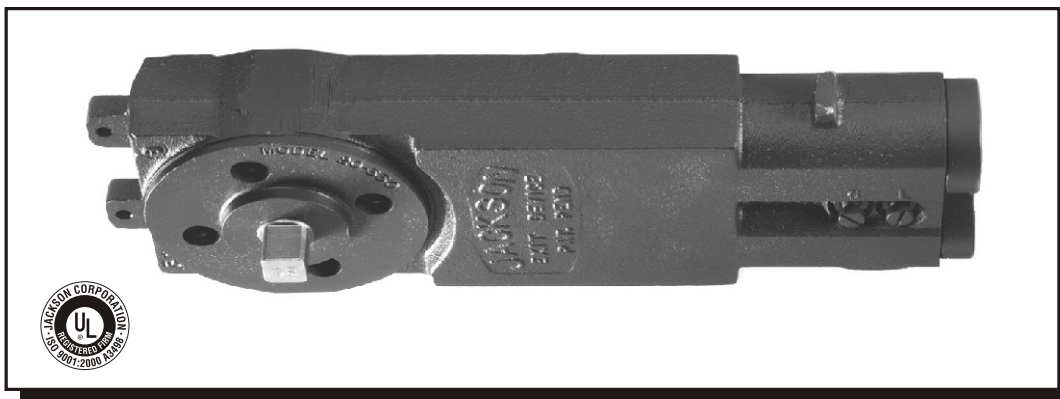
To change opening force 1 size takes approximately 4 turns

- Clockwise to increase
- Counter-clockwise to decrease

- NOTES:**
1. All recommendations are based on average conditions. Tall doors or doors that may be subjected to wind, draft or extreme air conditioning may require the next size closer
 2. An auxiliary floor or overhead door stop is always recommended to prevent structural interference and possible door and closer damage due to over-extension of maximum allowable door swing.



ADJUSTABLE OVERHEAD CONCEALED CLOSERS



The Jackson 20-330 Series Overhead Concealed Closer has been the leader in the industry for over 35 years. The closer is manufactured in the U.S.A. under strict ISO 9001 guidelines and is designed to give long lasting, maintenance free performance. This closer is truly universal. One basic closer mechanism allows for single or double acting, center-hung or offset applications and is non-handed. Suitable for both interior and exterior installations, it provides complete door control in a compact and concealed design. The adjustable spring power, makes this the ideal closer for aluminum, wood or hollow metal doors and frames.

TECHNICAL INFORMATION

DIMENSIONS: All Jackson 20-330 Series Overhead Closers are the same size and fit into a 1-3/4" x 4" (44.5 x 101.5mm) header.

LENGTH: 11-5/8" (295 mm)

HEIGHT: 1-1/2" (38mm)

WIDTH: 3-11/16" (94mm)

WEIGHT: Mechanism Only 8 lbs. (3.6 kg)

Center-Hung Package. 10 lbs. (4.5 kg)

Offset Package. 11lbs. (5.0 kg)

NOTE: Weights will vary depending on Package type

ACTION: Non-Handed Design
Single or Double Acting
Center-Hung or Offset Applications

WARRANTY: Guaranteed to be free from defects in materials and workmanship for 5 years from date of shipment.

ACCESSORIES: Complete selection of Arms, Pivots, Mounting Brackets and optional accessories.

OPTIONS:

• **EXTENDED LENGTH SPINDLE:**

Standard Spindle. . . . 1/2" (13 mm)

Medium Spindle 7/8" (22 mm)

Long Spindle . . . 1-13/64" (31 mm)

FEATURES:

• **DUAL VALVE CLOSING CONTROL** - Both sweep and latch speeds are independently adjustable.

NOTE: See the Closer Operational and Size Selector Charts on page C4 to determine proper closer size for the application.

• **ADJUSTABLE SPRING POWER** - Size XLD (2) thru RD (4)
This allows you to set an opening force which will meet Barrier-Free requirements for both interior and exterior doors in one closer.

• **90° or 105° Swing**

• **HOLD or NON-HOLD OPEN**

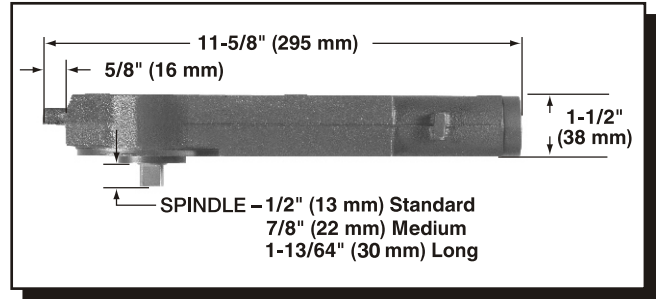
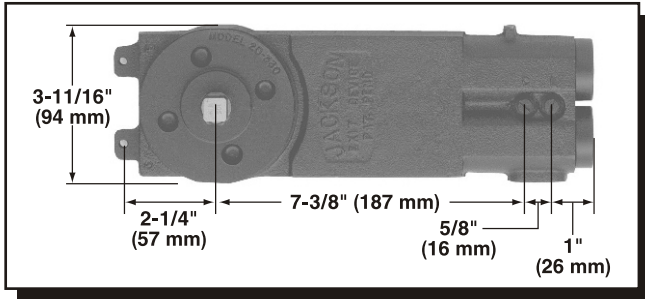
• **UL LISTED, MEETS UL228 (NON-HOLD ONLY)**

• **CUSHION BACKSTOP:** Provides cushion stop to protect both the closer and opening from damage.



ADJUSTABLE OVERHEAD CONCEALED CLOSERS

DIMENSIONS - Inch (Metric)



CLOSER OPERATIONAL DATA

APPROXIMATE OPENING FORCE IN POUNDS								
	CENTER HUNG				OFFSET SLIDE-ARM			
	2/6 x 7/0	3/0 x 7/0	3/6 x 7/0	4/0 x 7/0	2/6 x 7/0	3/0 x 7/0	3/6 x 7/0	4/0 x 7/0
Adjustable				N/A				
Extra Light Duty	6	4.5	4	N/A	8	6	5.5	5
Light Duty	10	8	6	5	14	12	10	8
Regular Duty	12	10	8	6	17	14.5	13	11
Heavy Duty	17	15	13	11	N/A	19	17	15

= Adjustable opening force 5 lbs to 8.5 lbs for barrier-free applications for door width noted.
 N/A = Application not recommended.
NOTE: Readings are in *pound force* required to open door and are taken at the lock stile to full degree of opening.

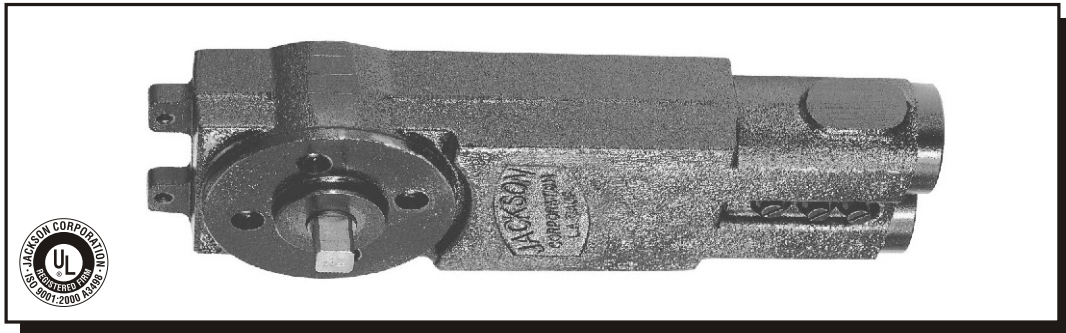
CLOSER SELECTION CHART		
CLOSER	Maximum Interior Door	Maximum Exterior Door
Adjustable	3'-6" (1067 mm)	3'-0" (914 mm)
Extra Light Duty	3'-0" (914 mm)	2'-6" (762 mm)
Light Duty	3'-6" (1067 mm)	3'-0" (914 mm)
Regular Duty	3'-6" (1067 mm)	3'-0" (914 mm)
Heavy Duty	4'-0" (1219 mm)	3'-6" (1067 mm)

SPRING POWER ADJUSTMENT DATA
Closer leaves factory set at size <i>LD</i> for a 3'-0" (914 mm) door.
To change opening force 1 size takes approximately 4 turns
- Clockwise to increase
- Counter-clockwise to decrease

- NOTES:** 1. All recommendations are based on average conditions. Tall doors or doors that may be subjected to wind, draft, or extreme air conditioning may require the next size closer.
- NOTES:** 2. Although the adjustable spring power closer can be adjusted to compensate for site conditions, adequate closing force may not be obtained while complying with barrier-free opening force restrictions.
- NOTES:** 3. An auxiliary floor or overhead door stop is always recommended to prevent structural interference and possible door and closer damage due to over-extension of maximum allowable door swing.



ANSI GRADE 1 CLOSER



The Jackson 20-330 Series Grade 1 Overhead Concealed Closer meets ANSI/BHMA Grade 1 Closer requirements. The closer is manufactured in the U.S.A. under strict ISO 9001 guidelines and is designed to give ultimate durability and maintenance free service. This closer is truly universal. One basic closer mechanism allows for single or double acting, center-hung or offset applications and is non-handed. Suitable for both interior and exterior installations, it provides complete door control in a compact and concealed design suitable for aluminum, glass, wood and hollow metal doors. Available in 4 fixed spring sizes with an optional hydraulic backcheck that will provide the ultimate protection from wind or violent door swings without impeding normal traffic flow.

TECHNICAL INFORMATION

DIMENSIONS: All Jackson 20-330 Series Overhead Closers are the same size and fit into a 1-3/4" x 4" (44.5 x 101.5 mm) header.

LENGTH: 11-5/8" (295 mm)

HEIGHT: 1-1/2" (238 mm)

WIDTH: 3-11/16" (294 mm)

WEIGHT: Mechanism Only 8 lbs. (3.6 kg)

Center-Hung Package . . . 10 lbs. (4.5 kg)

Offset Package 11 lbs. (5.0 kg)

NOTE: Weights will vary depending on Package type

ACTION: Non-Handed Design

ACTION: Single or Double Acting

ACTION: Center-Hung or Offset Applications

WARRANTY: Guaranteed to be free from defects in materials and workmanship for 10 years from date of shipment.

ACCESSORIES: Complete selection of Arms, Pivots, Mounting Brackets and optional accessories.

OPTIONS:

EXTENDED LENGTH SPINDLE:

Standard Spindle . . . 1/2" (13mm)

Medium Spindle . . . 7/8" (22mm)

Long Spindle . . . 1-13/64" (31mm)

FEATURES:

• **BACKCHECK:** Fully adjustable hydraulic backcheck provides the ultimate protection from wind or violent door swings to prevent damage to the closer and opening without impeding normal traffic flow.

• **DUAL VALVE CLOSING CONTROL** – Both sweep and latch speeds are independently adjustable.

• **FOUR FIXED SPRING SIZES:**

XLD = Extra Light Duty

LD = Light Duty

RD = Regular Duty

HD = Heavy Duty

NOTE: See the Closer Operational and Size Selector Charts on page C6 to determine proper closer size for the application.

• **CUSHION BACKSTOP:** Provides cushion stop to protect both the closer and opening from damage under normal traffic conditions.

• **90°, 105° or 120° Swing**

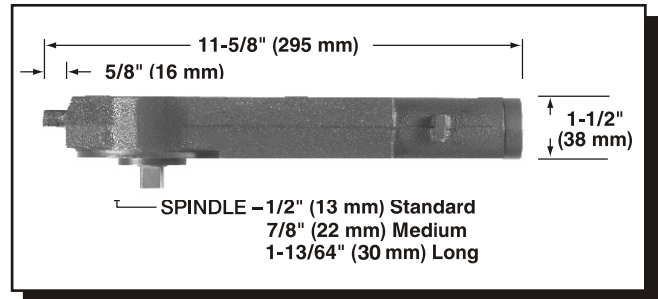
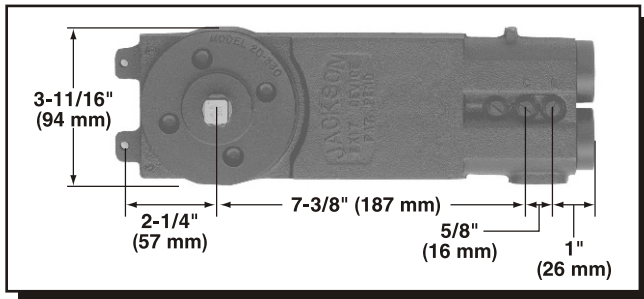
• **HOLD or NON-HOLD OPEN**

• **UL LISTED, MEETS UL228**



ANSI GRADE 1 CLOSER

DIMENSIONS - Inch (Metric)



CLOSER OPERATIONAL DATA

APPROXIMATE OPENING FORCE IN POUNDS

	CENTER HUNG				OFFSET SLIDE-ARM			
	2/6 x 7/0	3/0 x 7/0	3/6 x 7/0	4/0 x 7/0	2/6 x 7/0	3/0 x 7/0	3/6 x 7/0	4/0 x 7/0
Extra Light Duty	6	4.5	4	N/A	8	6	5.5	5
Light Duty	10	8	6	5	14	12	10	8
Regular Duty	12	10	8	6	17	14.5	13	11
Heavy Duty	17	15	13	11	N/A	19	17	15

N/A = Application not recommended.

NOTE: Readings are in *pound force* required to open door and are taken at the lock stile to full degree of opening.

CLOSER SELECTION CHART

CLOSER	Maximum Interior Door	Maximum Exterior Door
Extra Light Duty	3'-0" (914 mm)	2'-6" (762 mm)
Light Duty	3'-6" (1067 mm)	3'-0" (914 mm)
Regular Duty	3'-6" (1067 mm)	3'-0" (914 mm)
Heavy Duty	4'-0" (1219 mm)	3'-6" (1067 mm)

HYDRAULIC BACKCHECK ADJUSTMENT DATA

Closer leaves factory set at minimum intensity.
 To change backcheck intensity:
 - Clockwise to increase
 - Counter-clockwise to decrease
 Effective Range starting at 75 degrees

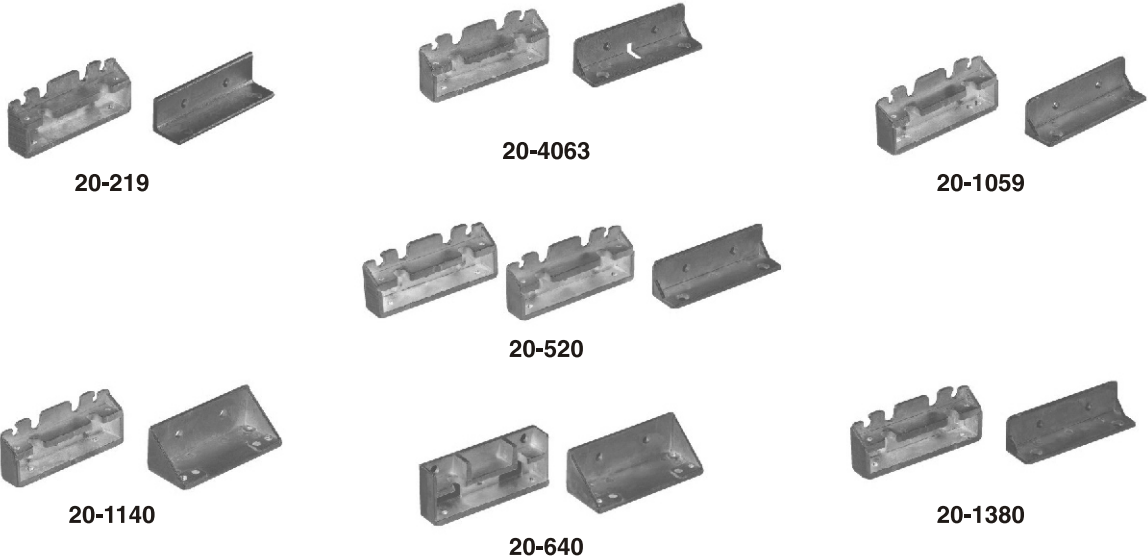
- NOTES:**
- All recommendations are based on average conditions. Tall doors or doors that may be subjected to wind, draft, or extreme air conditioning may require the next size closer.
 - Although the adjustable backcheck can be adjusted to give maximum protection, an auxiliary floor or overhead door stop is always recommended to prevent structural interference and possible door and closer damage due to over-extension of maximum allowable door swing



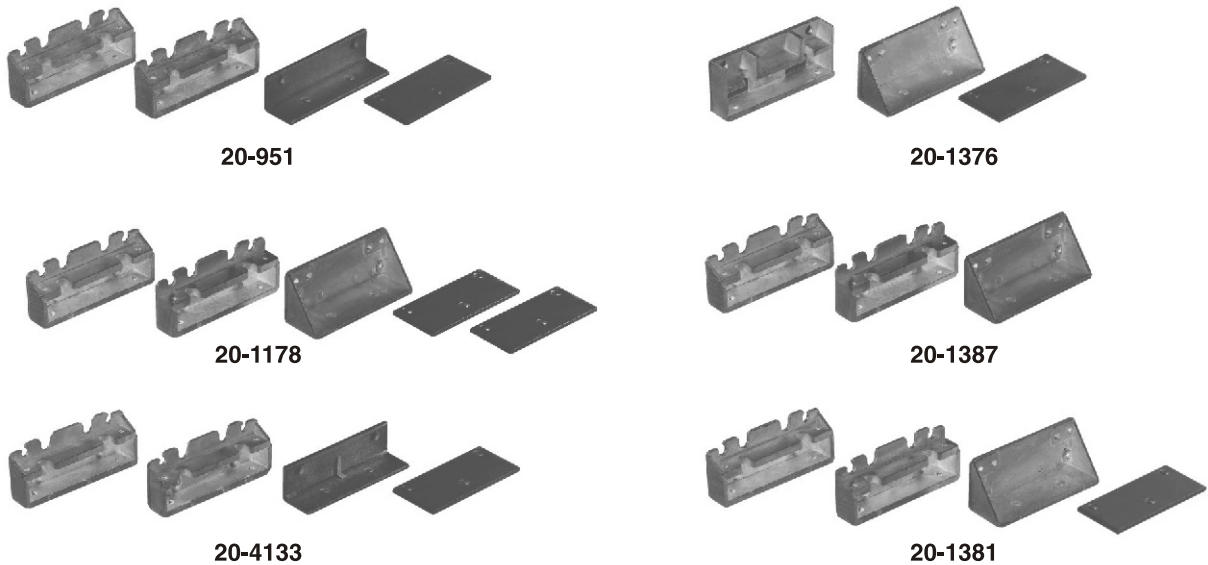
OVERHEAD CONCEALED CLOSERS

MOUNTING BRACKETS

CENTER-HUNG APPLICATIONS



OFFSET APPLICATIONS



COVER PLATES



20-1103 - 3-3/4" X 12-1/2" (95 X 317.5mm)
20-3152 - 3 Valve Access



20-190 - 3-11/16" X 13-3/4" (70.0 X 317.5mm)
20-1552 - 4-1/4" x 14" (108.0 x 355.6 mm)
20-3147 - 3 Valve Access



OVERHEAD CONCEALED CLOSERS

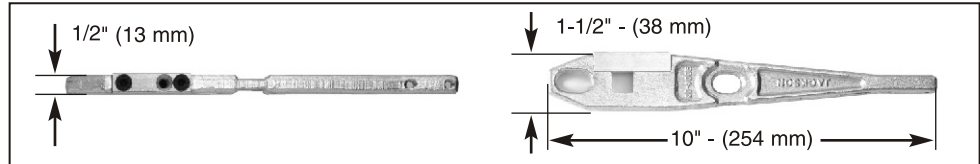
CENTER-HUNG ARMS

FOR ALUMINUM DOORS

No. 20-400B

Application: Side-Load
Application: 1/2" (13.0 mm) Deep Rail

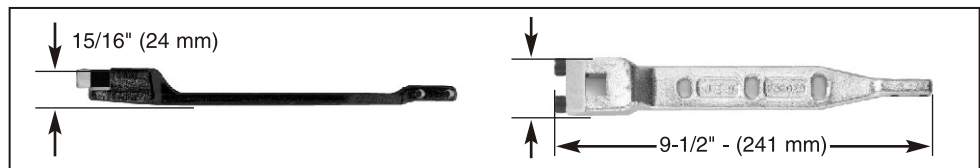
Contents: No. 20-876P Side-Load Arm
Contents: No. 20-879 Arm Mounting Pkg.



No. 20-2000

Application: End-Load
Application: 1" (25.4 mm) Deep Rail

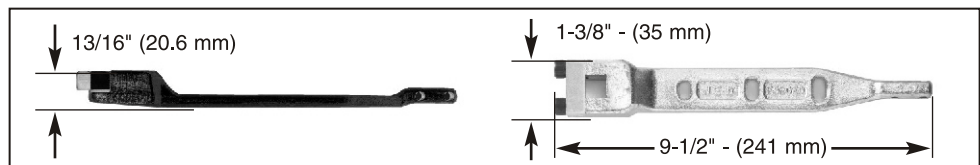
Contents: No. 20-1999 End-Load Arm
Contents: No. 20-1998 Arm Mounting Pkg.



No. 20-2010

Application: End-Load
Application: 7/8" (22.2 mm) Deep Rail

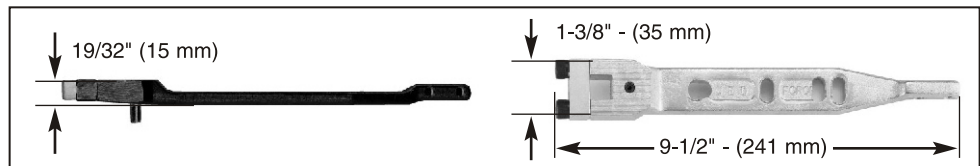
Contents: No. 20-2009 End-Load Arm
Contents: No. 20-2008 Arm Mounting Pkg.



No. 20-2085

Application: End-Load
Application: 5/8" (16.0 mm) Deep Rail

Contents: No. 20-2081 End-Load Arm
Contents: No. 20-2008 Arm Mounting Pkg.

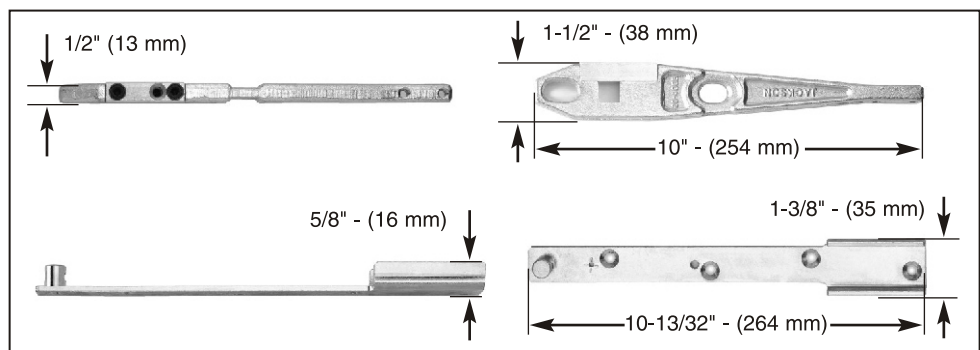


FOR WOOD DOORS

No. 20-510

Application: Side-Load
Application: 5/8" (16.0 mm) Deep
Application: Mortised Rail

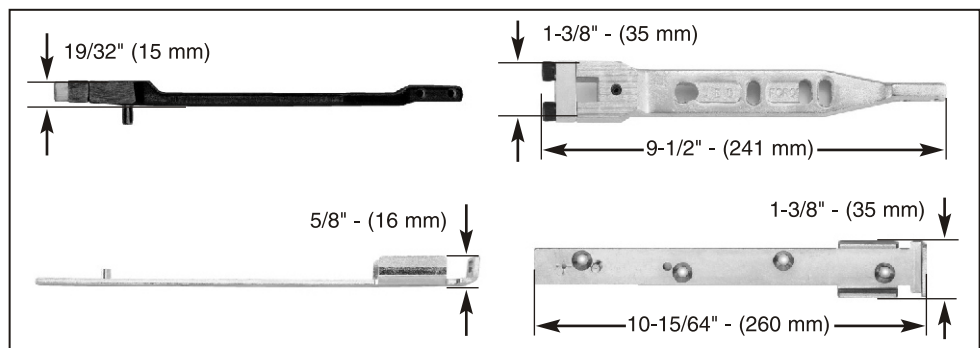
Contents: No. 20-876P Side-Load Arm
Contents: No. 20-240P Door Channel
Contents: No. 20-4061 Mounting Pkg.



No. 20-2090

Application: End-Load
Application: 3/4" (19.0 mm) Deep
Application: Mortised Rail

Contents: No. 20-4060P End-Load Arm
Contents: No. 20-245P Door Channel
Contents: No. 20-4062P Mounting Pkg.





OVERHEAD CONCEALED CLOSERS

OFFSET ARM & SLIDE CHANNEL ASSEMBLY

APPLICATION: For Aluminum Door & Frames
For Wood Door Mounting - Order Package No. 20-4131.

MATERIAL: Steel

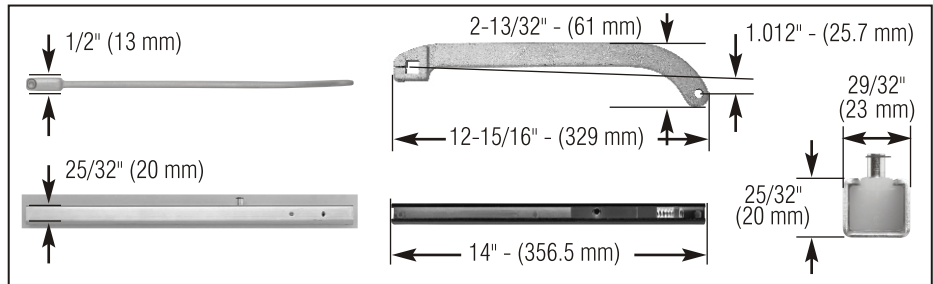
NOTE: Components for Mortise and Surface installations cannot be interchanged.

FINISH: Offset Arm Standard Painted Finishes:
• US28 / 628 = Clear Satin Aluminum
• DBZ 313 = Dark Bronze

No. 20-900-LC

Application: Mortise Type
7/8" (22 mm) Deep Rail

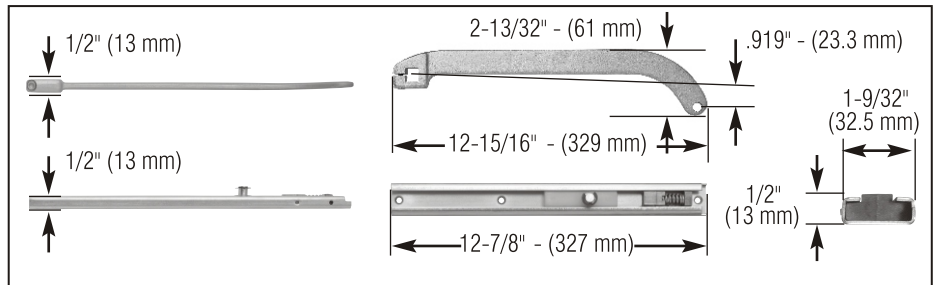
Contents: No. 20-942 Offset Arm
No. 20-368 Slide Channel Assembly
No. 20-951 Closer Mounting Brackets
No. 20-385 Channel Mounting Pkg.



No. 20-1134-LC

Application: Surface Mounted
5/8" (16 mm) Shallow Rail

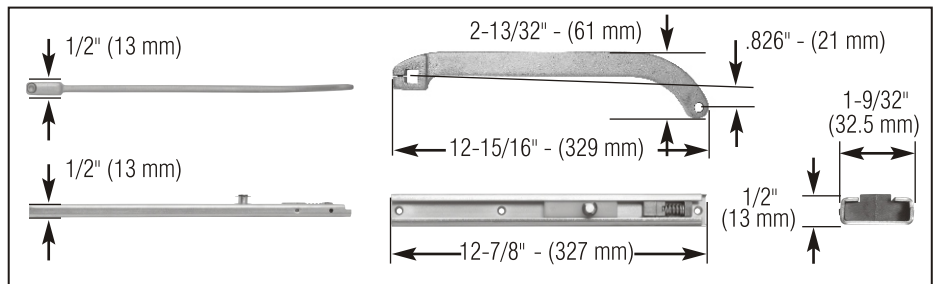
Contents: No. 20-1133 Offset Arm
No. 20-1129 Slide Channel Assembly
No. 20-1375 Closer Mounting Brackets
No. 20-1305 Channel Mounting Pkg.



No. 20-1312-LC

Application: Surface Mounted
5/8" (16 mm) Shallow Rail

Contents: No. 20-1149 Offset Arm
No. 20-1129 Slide Channel Assembly
No. 20-1178 Closer Mounting Brackets
No. 20-1305 Channel Mounting Pkg.



COVERS

APPLICATION: Right Hand = No. 20-117
Left Hand = No. 20-106

MATERIAL: Aluminum

DIMENSIONS: 2"W x 7/8"H x 42-1/4"L (51 x 22 x 1073 mm)

FINISH: Standard Anodized Finishes:

- US28 / 628 = Clear Satin Aluminum
- DBZ 313 = Dark Bronze





OVERHEAD CONCEALED CLOSERS

CENTER-HUNG FLOOR PIVOTS

- Designed for use with Aluminum or properly prepared Wood and Hollow Metal Doors.

- Full Ball Bearing Design

SIDE-LOAD APPLICATIONS

For Doors weighing up to 125 lbs. (56 kg)



No. 20-902 (Type G)

Height Adjustable

Application: For Floor Installation
Application: For 1-1/2" (38 mm) Deep Bottom Rail

Components: No. 20-741 Door Portion
: No. 20-742 Floor Portion



No. 20-944 (Type GE)

Height Adjustable

Application: For Threshold Installation
Application: For 1-1/2" (38 mm) Deep Bottom Rail

Components: No. 20-741 Door Portion
ts: No. 20-943 Threshold Portion



No. 20-1155 (Type BE)

Application: For Threshold Installation
Application: For 1" (25.4 mm) Deep Bottom Rail

Components: No. 20-1154 Door Portion
Components: No. 20-943 Threshold Portion

END-LOAD APPLICATIONS

For Doors weighing up to 175 lbs. (79 kg)



No. 20-1570 (Type GW)

Application: For Floor Installation
Application: For 1" (25.4 mm) Deep Bottom Rail

Components: No. 20-647 Door Portion
Components: No. 20-1062 Floor Portion



No. 20-1060 (Type P)

Application: For Floor Installation
Application: For 1-9/16" (39.7 mm) Deep Bottom Rail

Components: No. 20-1061 Door Portion
Components: No. 20-1062 Floor Portion



No. 20-728 (Type AE)

Application: For Threshold Installation
Application: For 1" (25.4 mm) Deep Bottom Rail

Components: No. 20-647 Door Portion
Components: No. 20-607 Threshold Portion



No. 20-1410 (Type EF)

Application: For Threshold Installation
Application: For 1-9/16" (39.7 mm) Deep Bottom Rail

Components: No. 20-1061 Door Portion
Components: No. 20-607 Threshold Portion



No. 20-1680 (Type BV)

Application: For Combination Floor &
Application: Threshold Installation
Application: For 1" (25.4 mm) Deep Bottom Rail

Components: No. 20-647 Door Portion
Components: No. 20-1062 Floor Portion
Components: No. 20-650 Threshold Mounting Pkg.



No. 20-1685 (Type UP)

Application: For Combination Floor &
Application: Threshold Installation
Application: For 1-9/16" (39.7 mm) Deep Bottom Rail

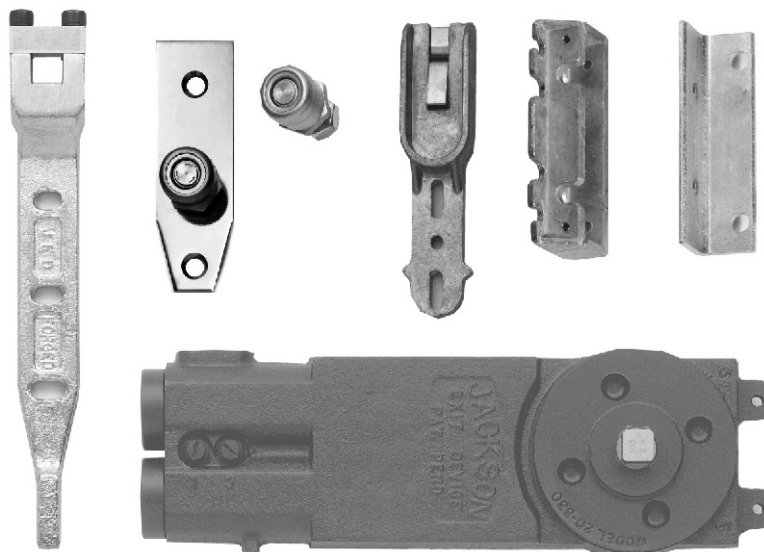
Components: No. 20-1061 Door Portion
Components: No. 20-1062 Threshold Portion
Components: No. 20-650 Threshold Mounting Pkg.



OVERHEAD CONCEALED CLOSERS

CENTER-HUNG CLOSER PACKAGES 21-100

1-3/4" Aluminum Doors with Aluminum Frames



END-LOAD PACKAGE CONTENTS

“A” PACKAGE

No. 20-330 Closer Mechanism
No. 20-640 Mounting Brackets
No. 20-2000 End-Load Arm Pkg
No. 20-728 “AE” Pivot Type

“AP” PACKAGE

No. 20-330 Closer Mechanism
No. 20-219 Mounting Brackets
No. 20-2000 End-Load Arm Pkg
No. 20-1060 “P” Pivot Type

“AE” PACKAGE

No. 20-330 Closer Mechanism
No. 20-219 Mounting Brackets
No. 20-2000 End-Load Arm Pkg
No. 20-728 “AE” Pivot Type

“EF” PACKAGE

No. 20-330 Closer Mechanism
No. 20-219 Mounting Brackets
No. 20-2010 End-Load Arm Pkg
No. 20-1410 “EF” Pivot Type

“GW” PACKAGE

No. 20-330 Closer Mechanism
No. 20-219 Mounting Brackets
No. 20-2000 End-Load Arm Pkg
No. 20-1570 “GW” Pivot Type

“P” PACKAGE

No. 20-330 Closer Mechanism
No. 20-1059 Mounting Brackets
No. 20-2010 End-Load Arm Pkg
No. 20-1060 “P” Pivot Type

“PA” PACKAGE

No. 20-330 Closer Mechanism
No. 20-219 Mounting Brackets
No. 20-2010 End-Load Arm Pkg
No. 20-728 “AE” Pivot Type

“PE” PACKAGE

No. 20-330 Closer Mechanism
No. 20-219 Mounting Brackets
No. 20-2010 End-Load Arm Pkg
No. 20-1060 “P” Pivot Type

“T” PACKAGE

No. 20-330 Closer Mechanism
No. 20-219 Mounting Brackets
No. 20-2010 End-Load Arm Pkg
No. 20-1698 Bottom Pivot Set

NOTE: 1. Due to the wide variety and styles of doors in use today, Jackson can not reference specific packages for use with a particular door. Package needed will depend on door and frame type, dimensions, floor type and application. Please verify type, dimensions and application prior to ordering a closer package.

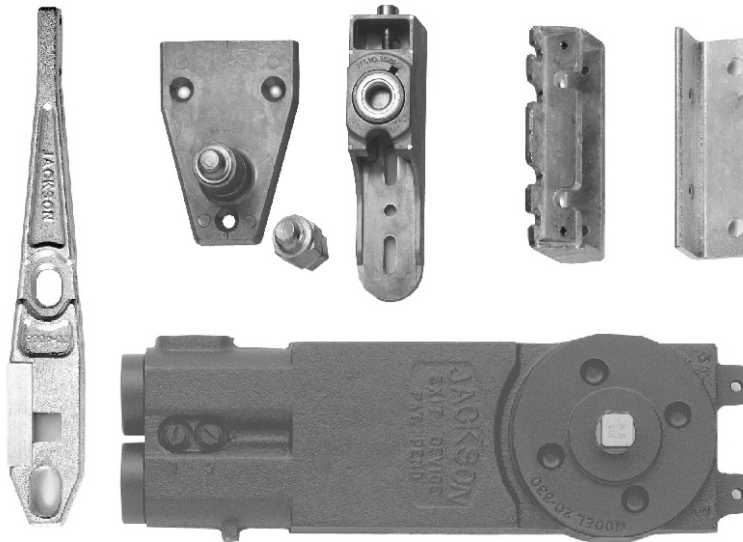
2. Packages listed above represent the most popular combinations currently used. Package contents can be customized to your specifications - Consult Factory.



OVERHEAD CONCEALED CLOSERS

CENTER-HUNG CLOSER PACKAGES 21-100

1-3/4" Aluminum Doors with Aluminum Frames



SIDE-LOAD PACKAGE CONTENTS

"BE" PACKAGE

No. 20-330 Closer Mechanism
No. 20-219 Mounting Brackets
No. 20-400B Side-Load Arm Pkg
No. 20-1155 "BE" Pivot Type

"BF" PACKAGE

No. 20-330 Closer Mechanism
No. 20-520 Mounting Brackets
No. 20-400B Side-Load Arm Pkg
No. 20-1155 "BE" Pivot Type

"GE" PACKAGE

No. 20-330 Closer Mechanism
No. 20-219 Mounting Brackets
No. 20-400B Side-Load Arm Pkg
No. 20-944 "GE" Pivot Type

"PV" PACKAGE

No. 20-330 Closer Mechanism
No. 20-520 Mounting Brackets
No. 20-400B Side-Load Arm Pkg
No. 20-944 "GE" Pivot Type

"S" PACKAGE

No. 20-330 Closer Mechanism
No. 20-219 Mounting Brackets
No. 20-400B Side-Load Arm Pkg
No. 20-902 "G" Pivot Type

"U" PACKAGE

No. 20-330 Closer Mechanism
No. 20-1380 Mounting Brackets
No. 20-400B Side-Load Arm Pkg
No. 20-944 "GE" Pivot Type

"V" PACKAGE

No. 20-330 Closer Mechanism
No. 20-400B Side-Load Arm Pkg
No. 20-1155 "BE" Pivot Type

NOTE: 1. Due to the wide variety and styles of doors in use today, Jackson can not reference specific packages for use with a particular door. Package needed will depend on door and frame type, dimensions, floor type and application. Please verify type, dimensions and application prior to ordering a closer package.

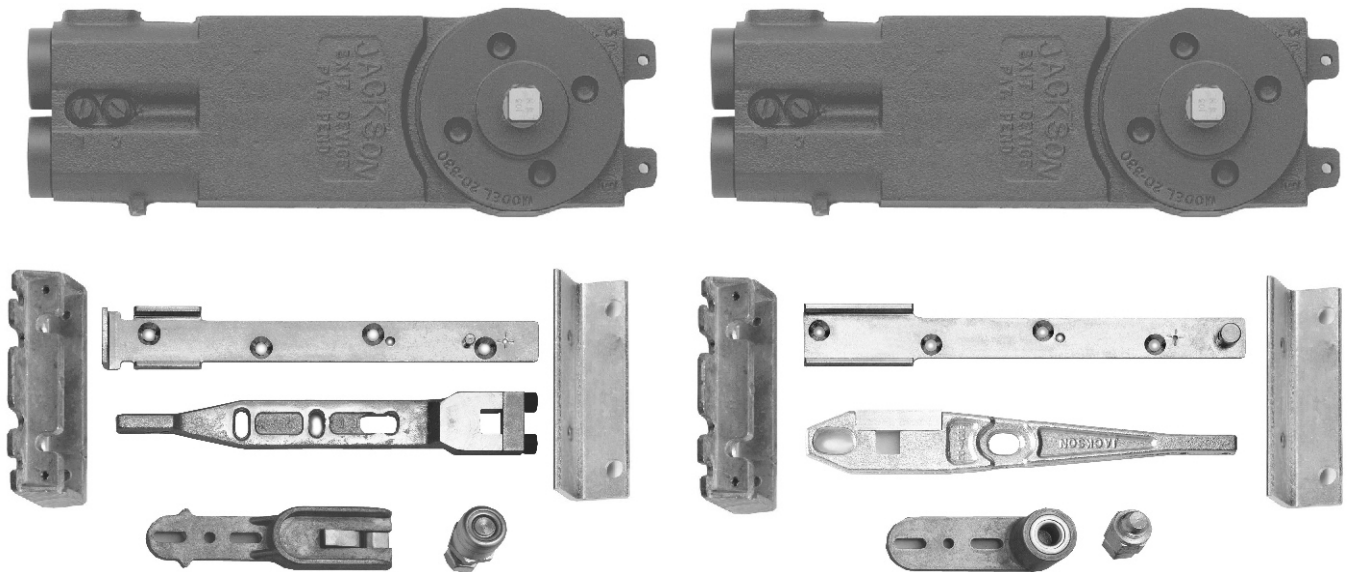
2. Packages listed above represent the most popular combinations currently used. Package contents can be customized to your specifications - Consult Factory.



OVERHEAD CONCEALED CLOSERS

CENTER-HUNG CLOSER PACKAGES 21-100

Wood Doors with Aluminum Frames



PACKAGE CONTENTS

“WDE” END-LOAD PACKAGE

- No. 20-330 Closer Mechanism
- No. 20-219 Mounting Brackets
- No. 20-2090 End-Load Arm Pkg
- No. 20-728 “AE” Pivot Type

“WDS” SIDE-LOAD PACKAGE

- No. 20-330 Closer Mechanism
- No. 20-219 Mounting Brackets
- No. 20-510 Side-Load Arm Pkg
- No. 20-1155 “BE” Pivot

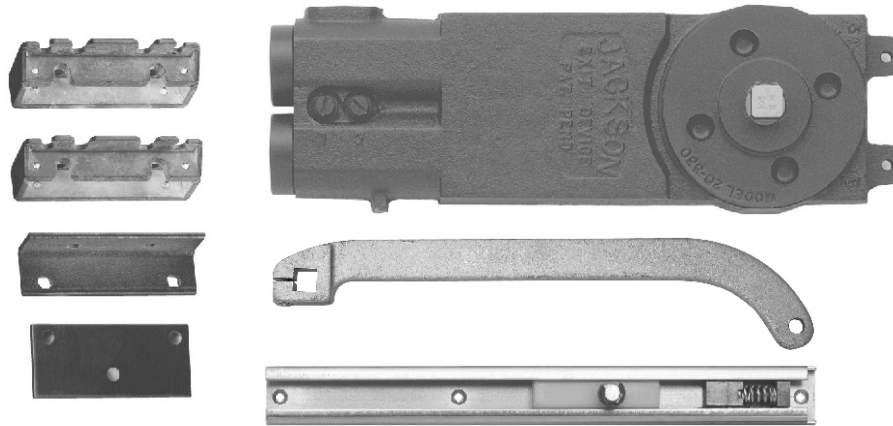
NOTE: 1. Due to the wide variety and styles of doors in use today, Jackson can not reference specific packages for use with a particular door. Package needed will depend on door and frame type, dimensions, floor type and application. Please verify type, dimensions and application prior to ordering a closer package.

2. Packages listed above represent the most popular combinations currently used. Package contents can be customized to your specifications - Consult Factory.



OVERHEAD CONCEALED CLOSERS

OFFSET SLIDE-ARM CLOSER PACKAGES 21-200 1-3/4" Aluminum Doors with Aluminum Frames



OFFSET PIVOT or BUTT HUNG PACKAGE CONTENTS

“A” PACKAGE

No. 20-330 Closer Mechanism
No. 20-1376 Mounting Brackets
No. 20-1149 Offset Arm Pkg
No. 20-1129 Slide Channel

“S” PACKAGE

No. 20-330 Closer Mechanism
No. 20-951 Mounting Brackets
No. 20-942 Offset Arm Pkg
No. 20-368 Slide Channel

“A4” PACKAGE

No. 20-330 Closer Mechanism
No. 20-951 Mounting Brackets
No. 20-1149 Offset Arm Pkg
No. 20-1129 Slide Channel

“U” PACKAGE

No. 20-330 Closer Mechanism
No. 20-1381 (90°) Mounting Brackets
No. 20-1387 (105°) Mounting Brackets
No. 20-942 Offset Arm Pkg
No. 20-368 Slide Channel

“P” PACKAGE

No. 20-330 Closer Mechanism
No. 20-1178 Mounting Brackets
No. 20-1133 Offset Arm Pkg
No. 20-1129 Slide Channel

“W” PACKAGE

No. 20-330 Closer Mechanism
No. 20-1376 Mounting Brackets
No. 20-1149 Offset Arm Pkg
No. 20-1129 Slide Channel

NOTE: 1. Offset Packages do not include Butts, Pivots or Arm Covers.

* Please see Pivot Section “D” for Offset Pivot selection.

* NOTE: The proximity of the Door Closer to the Jamb normally precludes a top pivot.

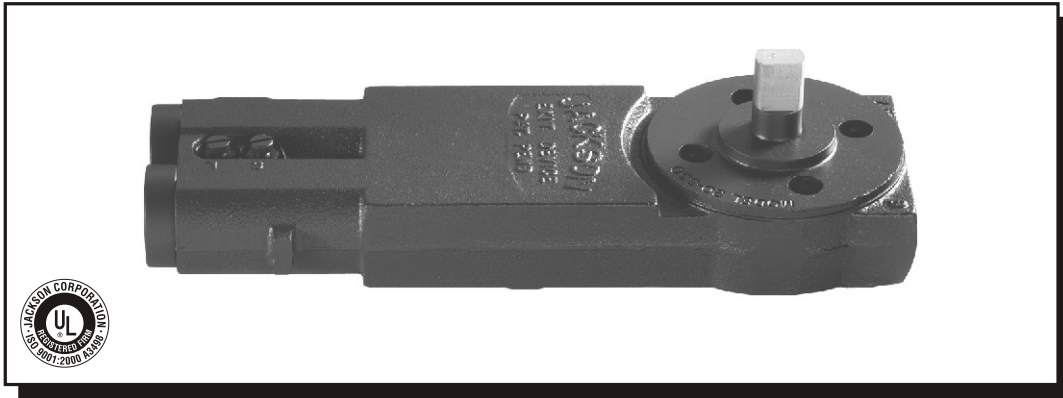
* Please see Page C9 for Arm Covers.

NOTE: 2. Due to the wide variety and styles of doors in use today, Jackson can not reference specific packages for use with a particular door. Package needed will depend on door and frame type, dimensions, floor type and application. Please verify type, dimensions and application prior to ordering a closer package.

NOTE: 3. Packages listed above represent the most popular combinations currently used. Package contents can be customized to your specifications - Consult Factory.



300 SERIES FLOOR CLOSER



The Jackson 300 Series Floor Closer is manufactured in the U.S.A. under strict ISO 9000 guidelines and is designed to give long lasting, maintenance free performance. Its compact design and low profile makes it ideal for thin-slab applications where floor depth is limited. The universal design allows one basic, non-handed closer mechanism to be used for either single or double acting center-hung applications. Suitable for both interior and exterior installations, it provides complete door control in a compact and concealed design when other types of closers are not practical. Available in 4 spring sizes, this closer is designed for use with aluminum, wood or hollow metal doors.

TECHNICAL INFORMATION

DIMENSIONS: The Jackson 300 Floor Closer is installed by using our low profile 2" (51 mm) deep cement case.

CLOSER:

LENGTH: 11" (279 mm)

HEIGHT: 1-1/2" (338 mm)

WIDTH: 3-11/16" (394 mm)

CEMENT CASE:

LENGTH: 12" (305 mm)

HEIGHT: 2" (351 mm)

WIDTH: 5-5/8" (143 mm)

WEIGHT: Mechanism Only 8 Lbs. (3.6 Kg)

WEIGHT: Center-Hung Package 14 Lbs. (6.4 Kg)

NOTE: Weights will vary depending on Package type.

CAPACITY: Doors up to 48" (1219 mm) wide.
Weight up to 260 lbs. (118 kg.)

ACTION: Non-Handed Design

ACTION: Single or Double Acting

WARRANTY: Guaranteed to be free from defects in materials and workmanship for 5 years from date of shipment.

OPTIONS:

- **ACCESSORIES** - Complete selection of Arms, Pivots, Cover Plates and other optional accessories.

FEATURES:

- **DUAL VALVE CONTROL** - Both closing and latching speeds are independently adjustable.
- **FOUR FIXED SPRING SIZES:**
XLD = Extra Light Duty
LD = Light Duty
RD = Regular Duty
HD = Heavy Duty

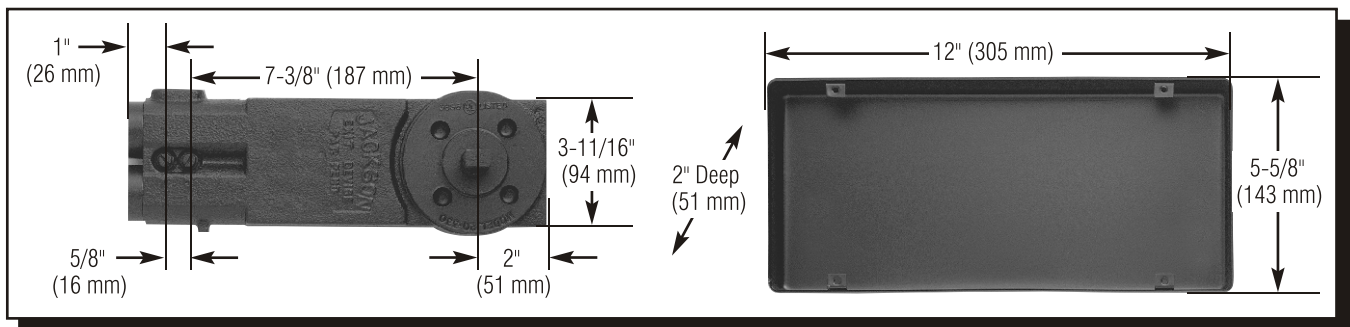
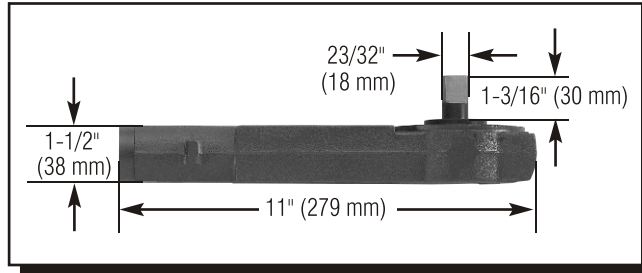
NOTE: See the Closer Operational and Size Selector Charts on page C16 to determine proper closer size for the application.

- **ADJUSTABLE POSITION WITHIN THE CEMENT CASE**
- **90° or 105° Swing**
- **HOLD or NON-HOLD OPEN**
- **BACKCHECK** - Cushion back-stop provides cushion stop to protect both the closer and opening from damage under normal traffic conditions.



300 SERIES FLOOR CLOSER

DIMENSIONS - Inch (Metric)



CLOSER OPERATIONAL DATA

APPROXIMATE OPENING FORCE IN POUNDS

	2/6 x 7/0	3/0 x 7/0	3/6 x 7/0	4/0 x 7/0
Extra Light Duty	6	4.5	4	N/A
Light Duty	10	8	6	5
Regular Duty	12	10	8	6
Heavy Duty	17	15	13	11

NOTE: Readings are *pound force* to open door and are taken at the lock stile to full degree of opening.

CLOSER SELECTION CHART

CLOSER	Max. Interior Door	Max. Exterior Door
Extra Light Duty	3'-0" (914 mm)	2'-6" (762 mm)
Light Duty	3'-6" (1067 mm)	3'-0" (914 mm)
Regular Duty	3'-6" (1067 mm)	3'-0" (914 mm)
Heavy Duty	4'-0" (1219 mm)	3'-6" (1067 mm)

- NOTES:**
1. All recommendations are based on average conditions. Tall doors or doors that may be subjected to wind, draft, or extreme air conditioning may require the next size closer.
 2. An auxiliary floor or overhead door stop is always recommended to prevent structural interference and possible door and closer damage due to over-extension of maximum allowable door swing.



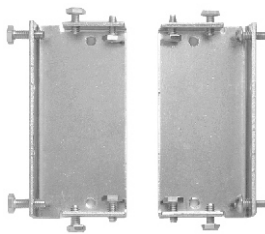
300 SERIES FLOOR CLOSER CENTER-HUNG PACKAGES 21-307



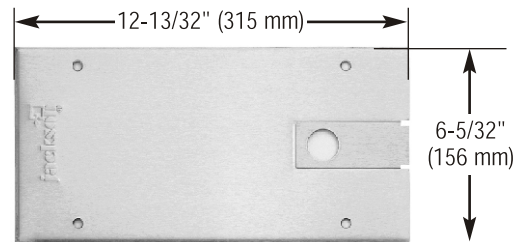
No. 20-340 Floor Closer Mechanism



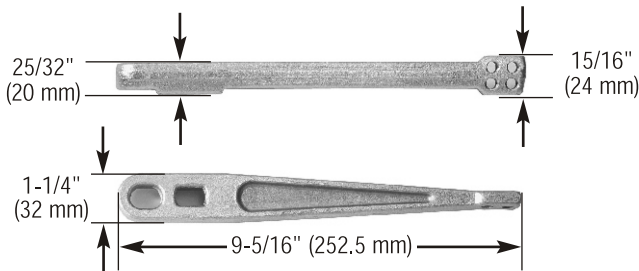
No. 20-2102 Cement Case



No. 20-2120 Adjustable Mounting Brackets
Allows adjustment of installed Closer.
Vertical = 3/16" (5 mm)
Lateral = 1/4" (6 mm)
Front to back = 3/8" (9.5 mm)



No. 20-2115 Cover Plate
Specify Finish (Extra Cost Option)
Two piece design features separate spindle cover allowing removal of main plate for closer adjustment with door installed.



No. 20-800 Center-Hung Arm Assembly

Application: 1" (25.4 mm) Deep Rail

Contents: No. 20-2103P Center-Hung Arm
No. 20-185P Arm Mounting Pkg.



No. 20-534

Top Center-Hung "Walking Beam" Pivot Assembly

Contents: No. 20-213 Top Pivot
No. 20-653 Top Door Arm w/nylon bushing
No. 16-171 Cover Plate - Specify Finish

PACKAGE CONTENTS

"S" ALUMINUM DOORS & FRAMES

- No. 20-307 Floor Closer Mechanism
- No. 20-2120 Mounting Brackets
- No. 20-800 Center-Hung Arm Pkg
- No. 20-534 Top Pivot Assembly
- No. 20-2102 Cement Case

"GL" TEMPERED GLASS DOORS

- No. 20-307 Closer Mechanism
- No. 20-2120 Mounting Brackets
- No. 20-2102 Cement Case

NOTE: 1. Packages do not include optional Cover Plate No. 20-2115 and must be purchased separately.

NOTE: 2. Due to the wide variety and styles of doors in use today, Jackson can not reference specific packages for use with a particular door. Package needed will depend on door and frame type dimensions, floor type and application. Please verify type, dimensions and application prior to ordering a closer package.

NOTE: 3. Packages listed represent the most popular combinations currently used. Package contents can be customized to your specifications - Consult Factory.